

Professional Grade Post / Niche Lights

GINGER

Ginger, Illumicare's louvered deck light, is constructed of solid cast brass and provides soft, glare-free ambient lighting for decks and outdoor living spaces.

When designing the perfect outdoor oasis, Ginger offers deck lighting that creates ambiance, yet provides enough illumination for safe passage through the landscape. By clearly marking stairs, railings, edges, docks, retaining walls and other level changes, Ginger is perfect for illuminating hardscapes and structures with casual, safety lighting.

Ginger's louvered brass lens cover offers just enough light to create a private, comfortable atmosphere for an outdoor patio, built in spa, or outdoor kitchen, turning your landscape into the perfect place to relax or entertain.

2 WATT LED
MINIATURE



RECOMMENDED



OPAL

For more subtle, soft deck lighting, Opal, our shielded deck light, gives you just the right amount of light to highlight your outdoor entertainment areas.

Opal is the ideal niche light when adding interesting and artistic lighting in areas that require subtle, soft illumination. Installed on posts, beneath benches, against stair risers or as surface lights on vertical posts and below railings, Opal will help guests navigate paths, stairs, and other potential obstacles safely.

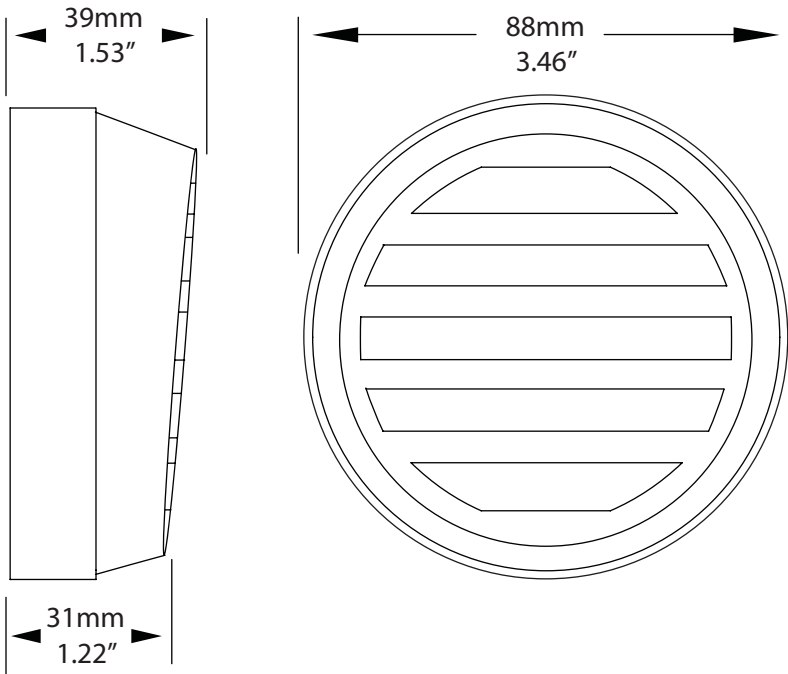
For smaller patio areas, where you need to hide the light source to avoid bright hot spots, Opal can be tucked into small nooks, edges and corners to provide the perfect amount of light right where you need it.

Opal's indirect, niche accent lighting, offers more flexibility in your designs options allowing you to integrate deck lighting into any outdoor living space.



Professional Grade Post / Niche Lights

GINGER



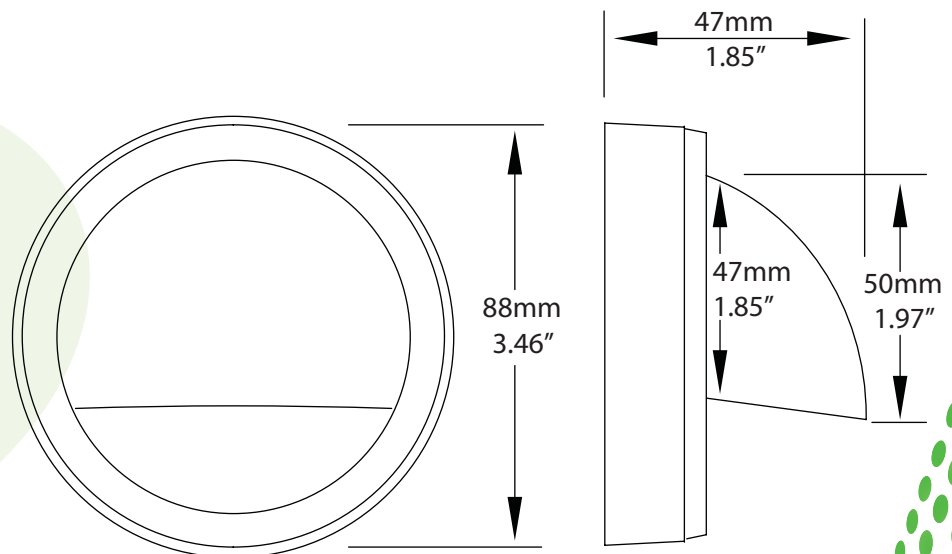
Voltage: 12V
Construction: Solid Cast Brass
Weight: 1.5 lbs
Finish: Weathered Red Brass
Wire: 36" 18/2 UL Rated Lead Wire
Socket: Beryllium Copper, G4 BiPin Socket, pre-greased
Wattage: Maximum 10 Watts
Lens: Frosted Polycarbonate
Mounting: Flush Surface Mount
Lamp Not Included

Recommended LED Lamps

LED 19MM G4 BiPin	140 Lumens 2.16W 3000K
LED G4 BIPIN SIDE	150 Lumens 1.6W 3000K

OPAL

Voltage: 12V
Construction: Solid Cast Brass
Weight: 1.5lbs
Finish: Weathered Red Brass
Wire: 36" 18/2 UL Rated Lead Wire
Socket: Beryllium Copper, G4 BiPin Socket, pre-greased
Wattage: Maximum 10 Watts
Lens: Frosted Polycarbonate
Mounting: Flush Surface Mount
Lamp Not Included



Recommended LED Lamps

LED 19MM G4 BiPin	140 Lumens 2.16W 3000K
LED G4 BIPIN SIDE	150 Lumens 1.6W 3000K